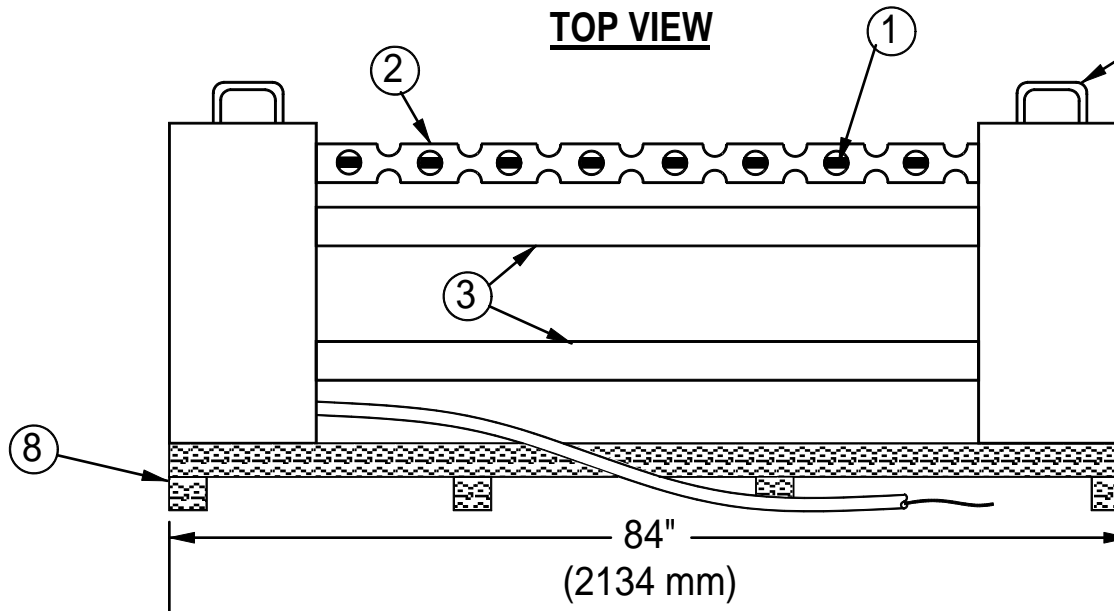
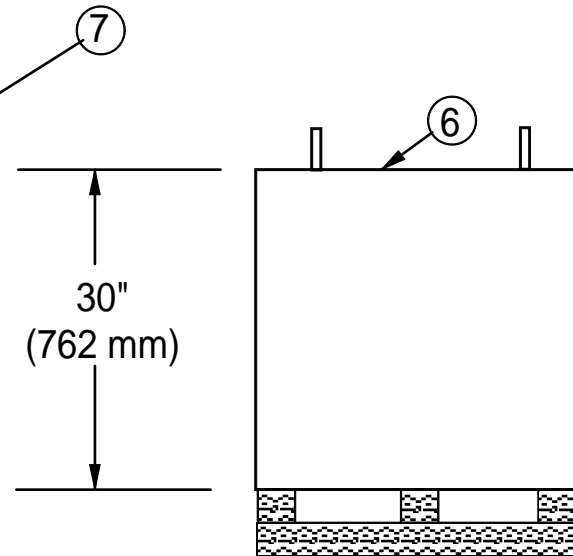


TOP VIEW

Note:
 DIMENSIONS SHOWN ARE TYPICAL ONLY.
 THE DIMENSIONS WILL VARY WITH THE
 INDIVIDUAL SEA-BOTTOM ANODE AND
 THE REQUIREMENTS FOR LOCATION,
 CURRENT OUTPUT AND
 OPERATING CONDITIONS.



SIDE VIEW



END VIEW

THE WEIGHT OF THE SAMPLE SEA-BOTTOM SHOWN
 WOULD BE APPROXIMATELY 3,500 POUNDS.

SEA-BOTTOM™ ANODE

SCALE: NTS	APPROVED BY:	DRAWN BY: CF
DATE: MARCH 17, 2014		REVISED:

