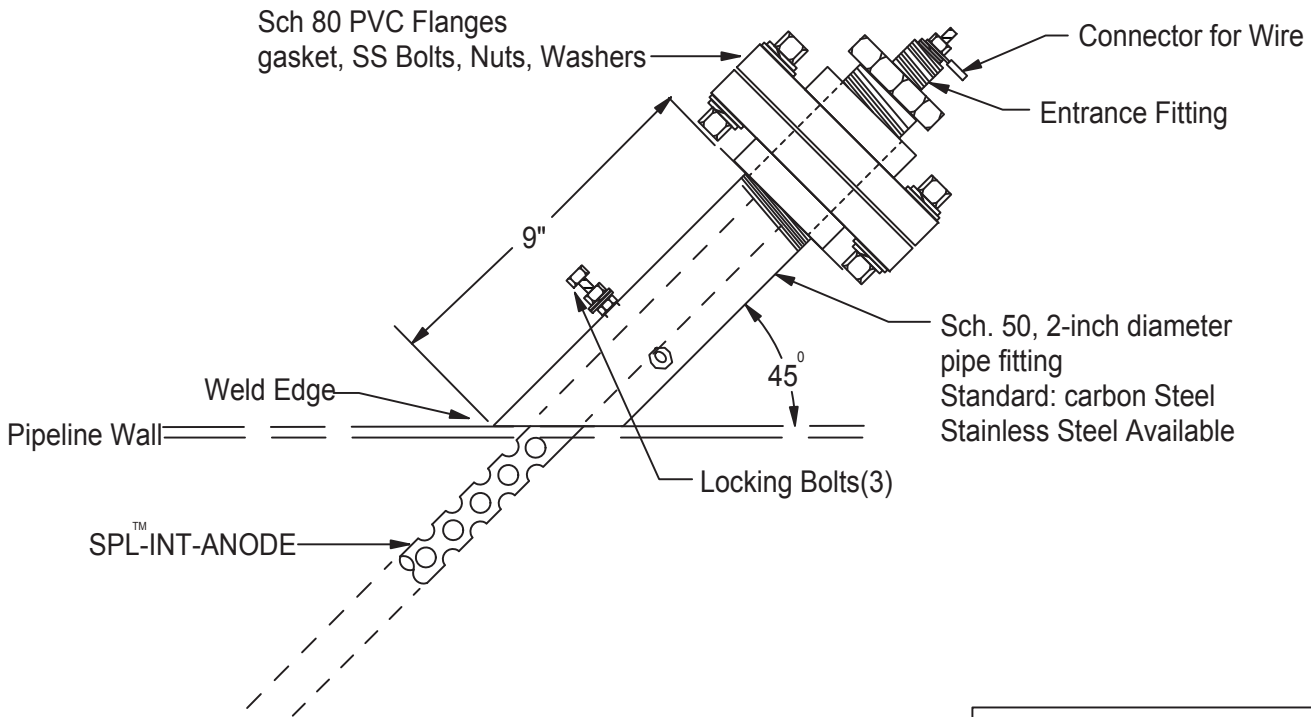


MATCOR ENGINEERED PRODUCT



**MATCOR SPL™-INT SYSTEM
ENTRANCE FITTING & ANODE**

SCALE: NTS APPROVED BY: DRAWN BY: CF
DATE: Nov. 16 2013 REVISED:

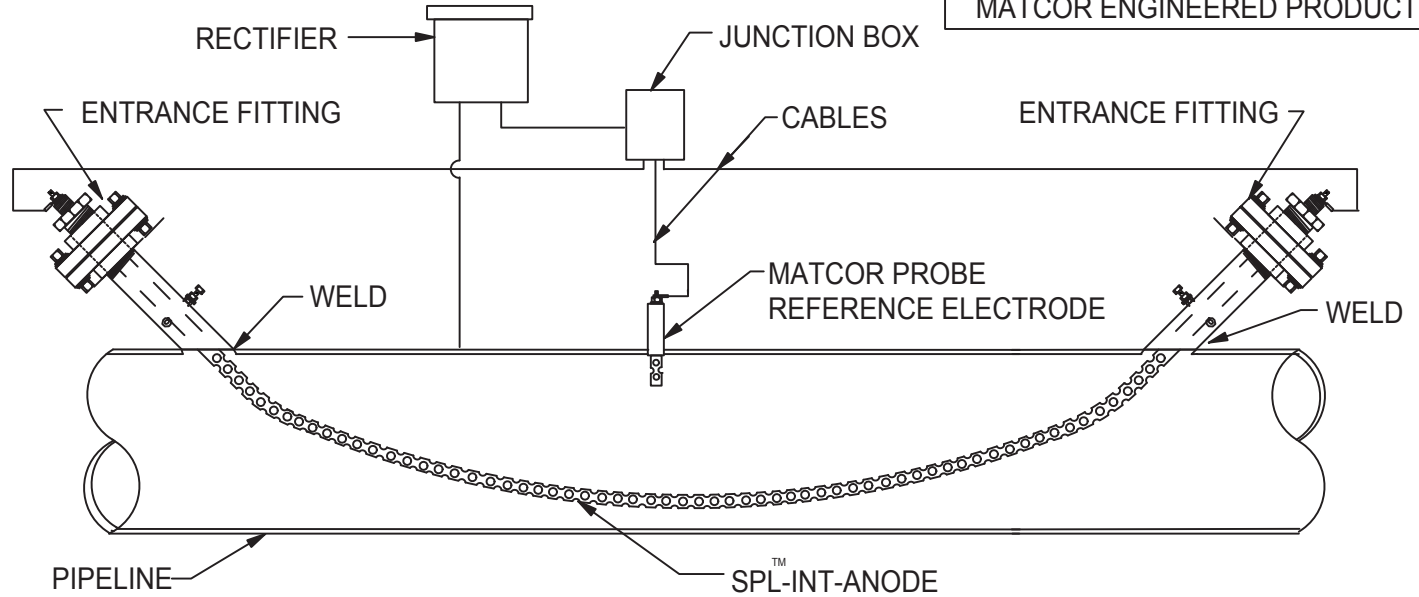
COPYRIGHT 2013 MATCOR, Inc.

Patented

SPL-INT-ANODE 1113-16-01



MATCOR ENGINEERED PRODUCT



**MATCOR SPL™-INT SYSTEM
TYPICAL INSTALLATION**

SCALE: NTS APPROVED BY: DRAWN BY: CF
DATE: Nov. 17 2013 REVISED:

COPYRIGHT 2013 MATCOR, Inc.

Patented

SPL-INT-ANODE 1113-17-01

